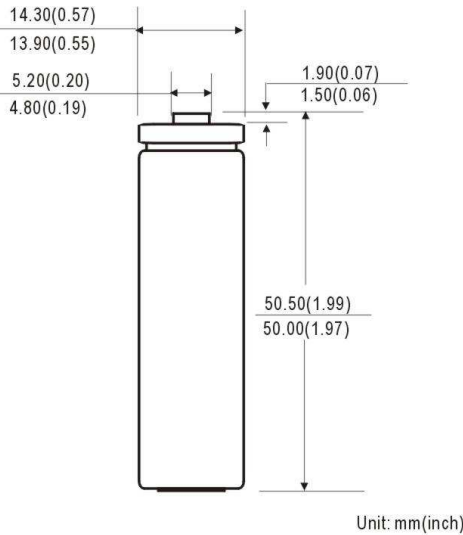


## RECHARGEABLE BATTERY : Nickel Metal Hydride

Document Title: RB002230

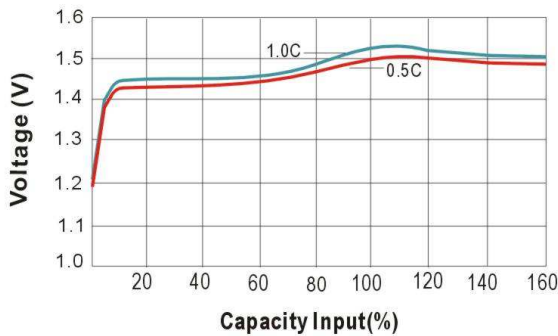
### NH-AA2300

#### Dimensions:



|  |  |
|--|--|
| <b>Chemical System</b>   | : Nickel Metal Hydride   |
| <b>Camelion Model</b>  | : NH-AA2300  |
| <b>Average Weight</b>  | : 29.5g  |
| <b>Dimension (Ø x H)</b>                                       | : 14.1 <sup>+0.2</sup> x 50.5 <sup>+0.5</sup> mm<br>(0.56 <sup>+0.01</sup> x 1.99 <sup>+0.02</sup> inch) |
| <b>Nominal Voltage</b>   | : 1.2 Volts  |
| <b>Nominal Internal Resistance</b>                             | : 25m-ohm @ 1kHz   |
| <b>Capacity (460mA constantly discharge to 1.0V at 20±2°C)</b> |  |
| <b>Typical</b>   | : 2300mAh  |
| <b>Minimum</b>   | : 2220mAh  |
| <b>Max. Charge Current</b>                                     | : 2300mA   |
| <b>Max. Discharge Current</b>                                  | : 4600mA   |
| <b>Relative Humidity</b>                                       | : 65±20%   |
| <b>Jacket</b>  | : PVC Label  |

#### Fast Charge Characteristics



#### Charging Conditions

| Mode     | Current  | Time         | Temperature |
|----------|----------|--------------|-------------|
| Standard | 230mA    | 16.0hrs      | 0°C~45°C    |
| Quick    | 690mA    | 5.0hrs       | 10°C~45°C   |
| Fast     | 1150mA   | 2.4hrs*      | 10°C~45°C   |
| Trickle  | 76~115mA | Continuously | 10°C~35°C   |

\*Can also be controlled with - ΔV or dT/dt system  
 - ΔV : 0-10mV  
 dT/dt : 0.8°C/min(0.5C to 0.9C)  
 0.8-1.0°C/min(1C)  
 Timer cut off : 120% nominal capacity  
 Temp. cut off : 55°C

#### Continuous Overcharge

230mA maximum current for 28 days  
 No conspicuous deformation and/or leakage

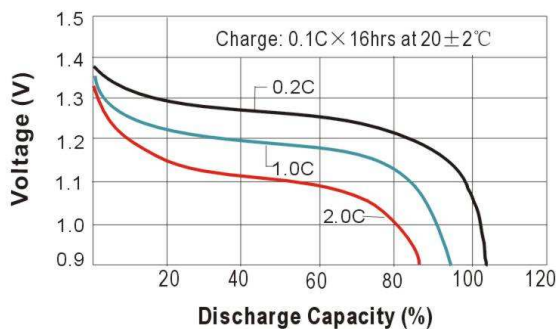
#### Operating and Storage Temperatures

**Charge at 0.1C** : 0°C to 50°C (32°F to 122°F)  
**Discharge at 0.1C** : -20°C to 50°C (-4°F to 122°F)  
**Storage** : -40°C to 50°C (-40°F to 122°F)  
 (3 Months Max.)  
 -20°C to 35°C (-4°F to 95°F)  
 (2 Years Max.)

#### Service Life

>500 cycles (IEC standard)  
 Up to 1000 cycles (not less than 60% of nominal at 0.1C Charge/0.2C discharge)

#### Discharge Characteristics



#### Notice:

Environmental elements comply with RoHS requirements. This information is subject to change without prior notice and for reference only. It should not be used as a basis for a product guarantee or warranty. For additional information, please consult your nearest Camelion Sales Office or Distributor or visit our website at: [www.camelionbattery.com](http://www.camelionbattery.com).